

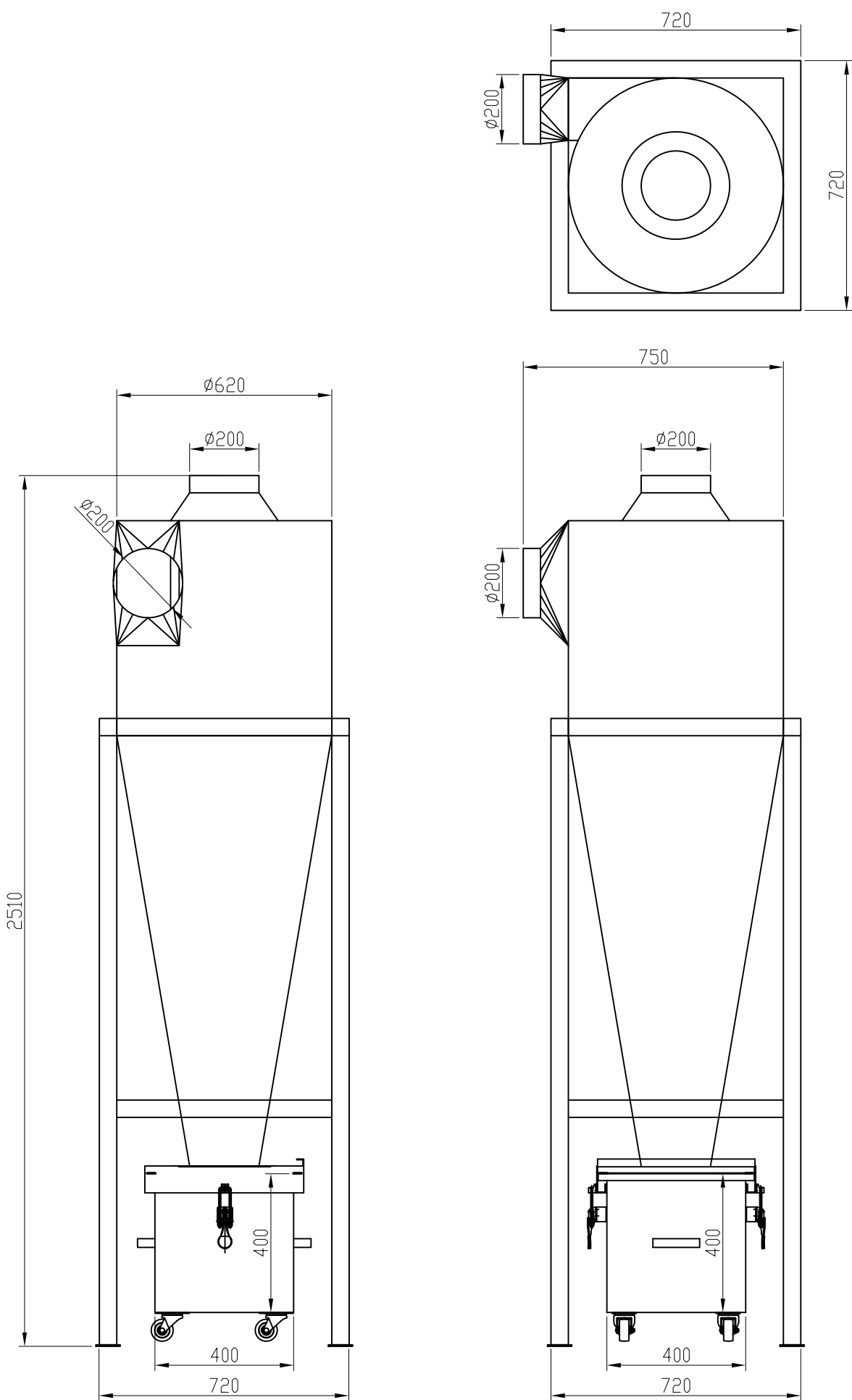


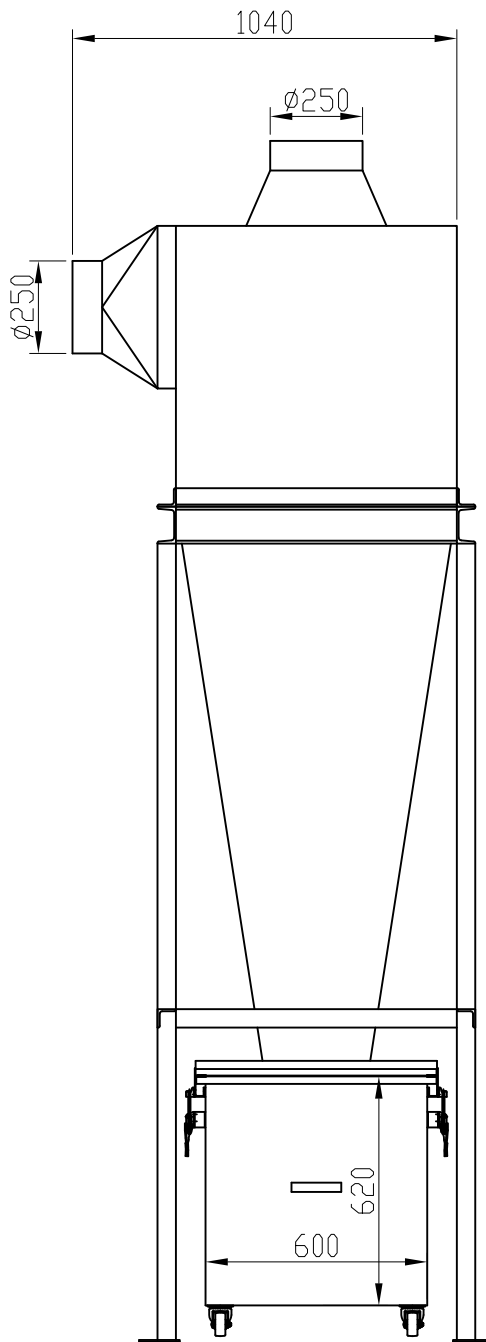
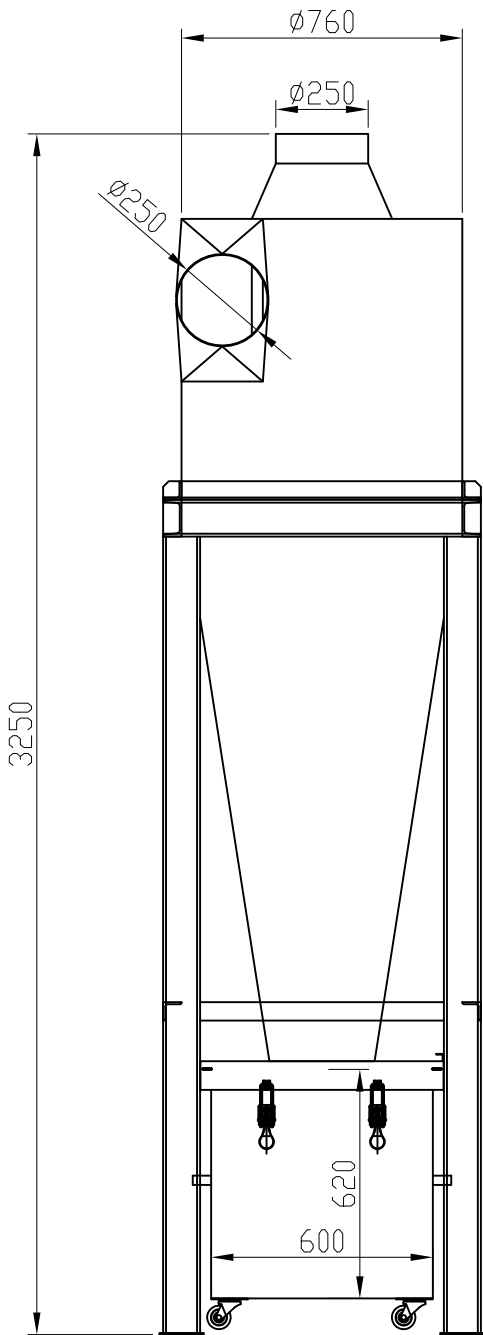
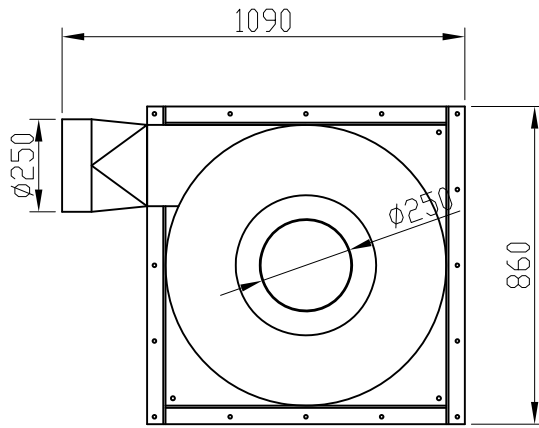
REV	DESCRIPTION	DATE	APPROVED	REMARK'S
				
PROJECTION		SIZE	A3	CUSTOMER
DIMENSION	mm	SCALE	1 / 1	TITLE
DRAWN	CHECKED	REVIEWED	APPROVED	NANDS
B.B.M	-	-	-	DWG. NO.
12.05.18	-	-	-	NCY-20





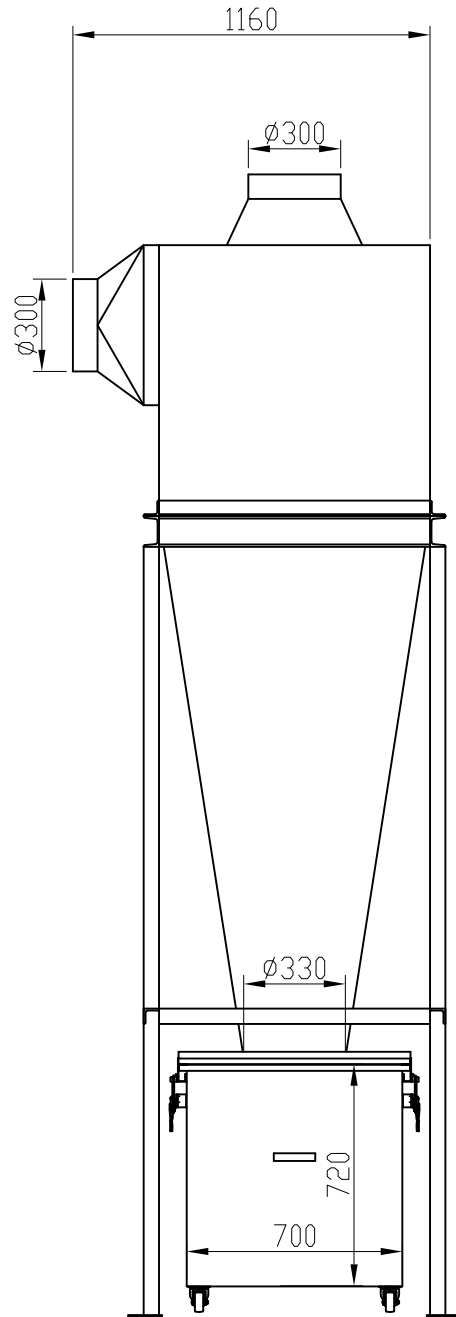
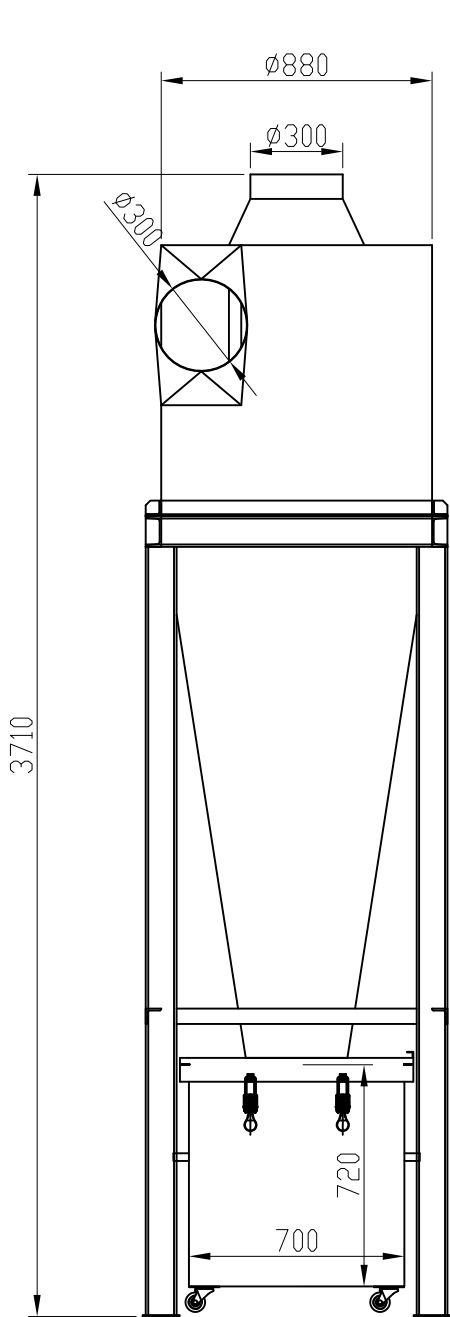
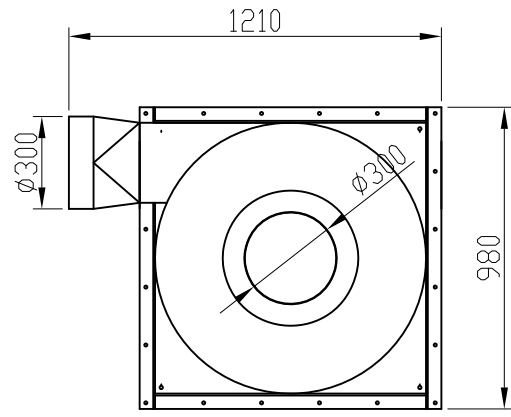
REV		DESCRIPTION			DATE	APPROVED	REMARK'S
PROJECTION			SIZE	A3	CUSTOMER		
DIMENSION		mm	SCALE	1 / 1	TITLE	CYCLONE	
DRAWN	CHECKED	REVIEWED	APPROVED	HANDS DVG. NO.			
B.B.M	-	-	-	NCY-40			
www.j-nanos.co.kr		12.05.18	-	-	-		





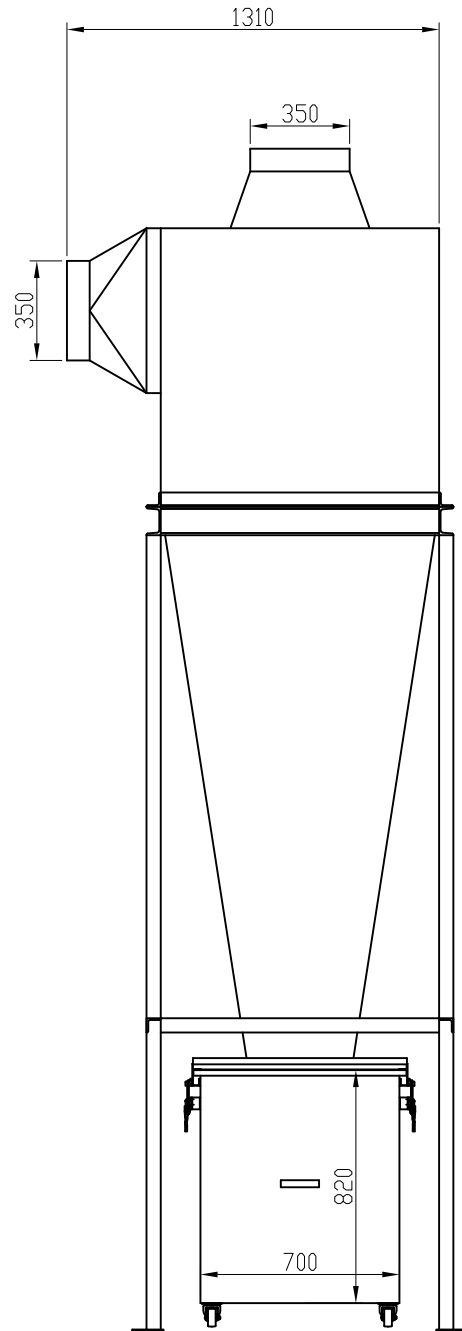
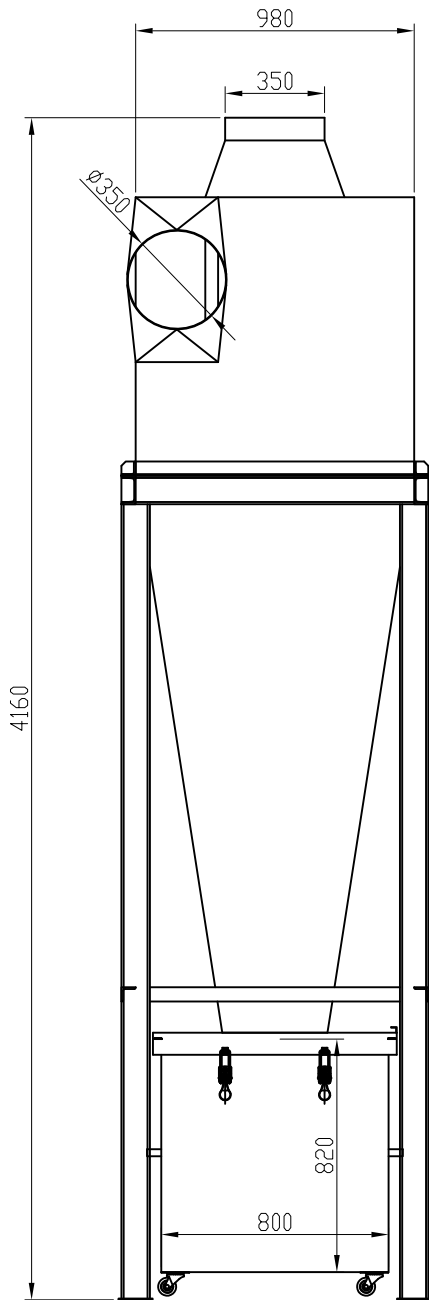
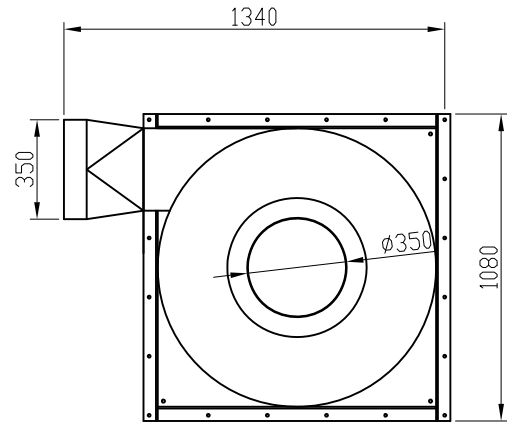
고객맞춤 대표 팀만기  
www.j-nanos.co.kr





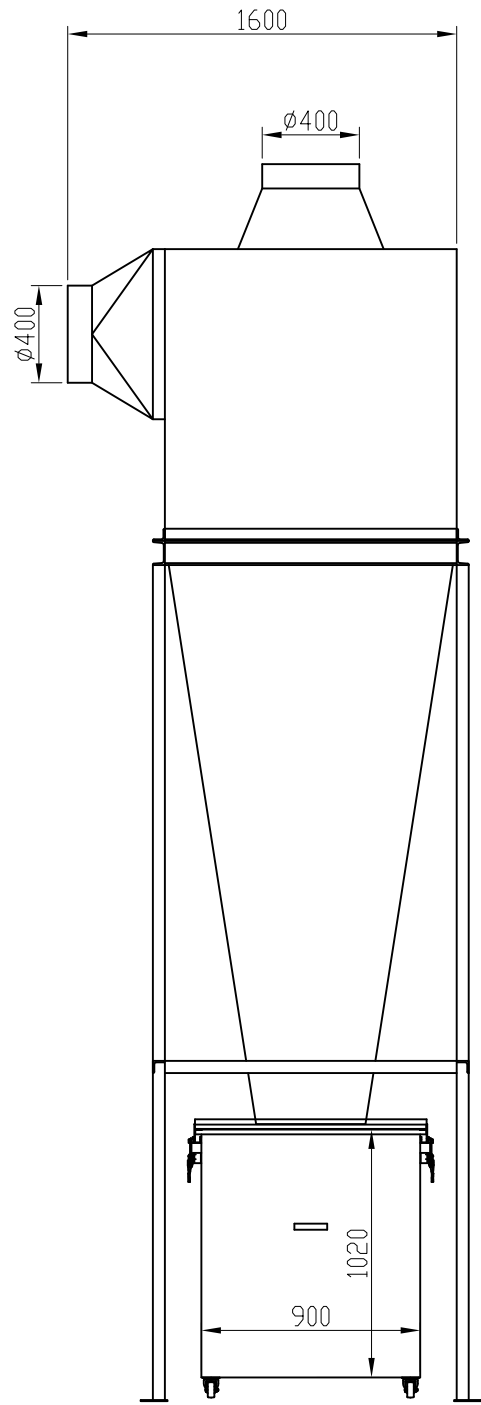
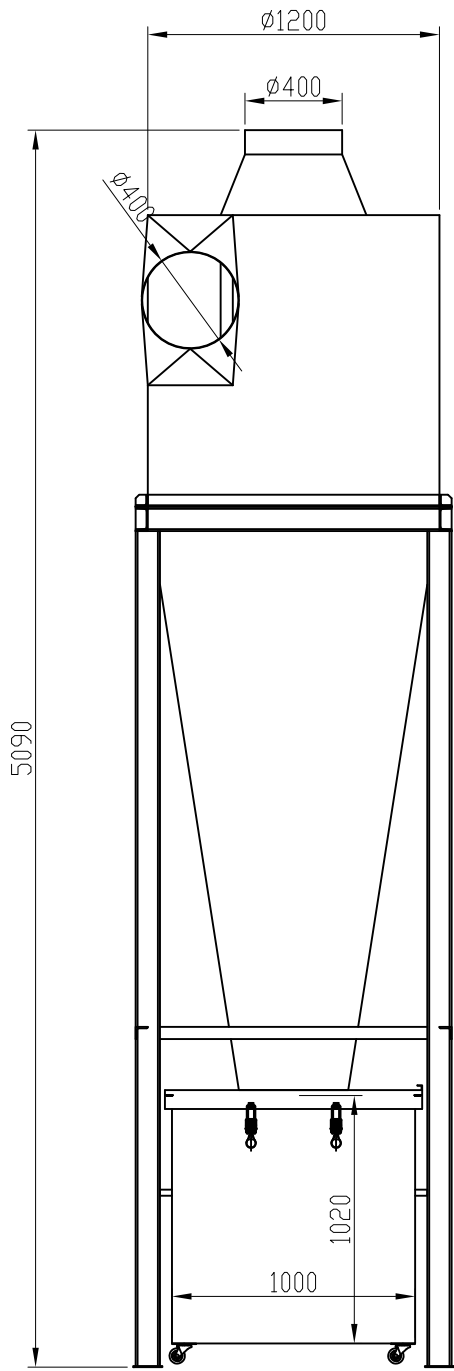
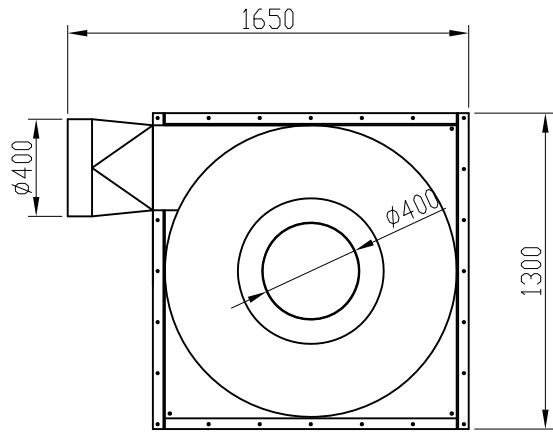
REV	DESCRIPTION	DATE	APPROVED	REMARK'S
				
PROJECTION		SIZE	A3	CUSTOMER
DIMENSION	mm	SCALE	1 / 1	TITLE
DRAWN	CHECKED	REVIEWED	APPROVED	TITLE
B.B.M	-	-	-	CYCLONE
12.05.18	-	-	-	NANDS DVG. NO.
				NCY-60



REV	DESCRIPTION	DATE	APPROVED	REMARK'S
				
PROJECTION		SIZE	A3	CUSTOMER
DIMENSION	mm	SCALE	1 / 1	TITLE
DRAWN	CHECKED	REVIEWED	APPROVED	TITLE
B.B.M	-	-	-	CYCLONE
www.j-nanos.co.kr	12.05.18	-	-	NANDS DVG. NO.
				NCY-80



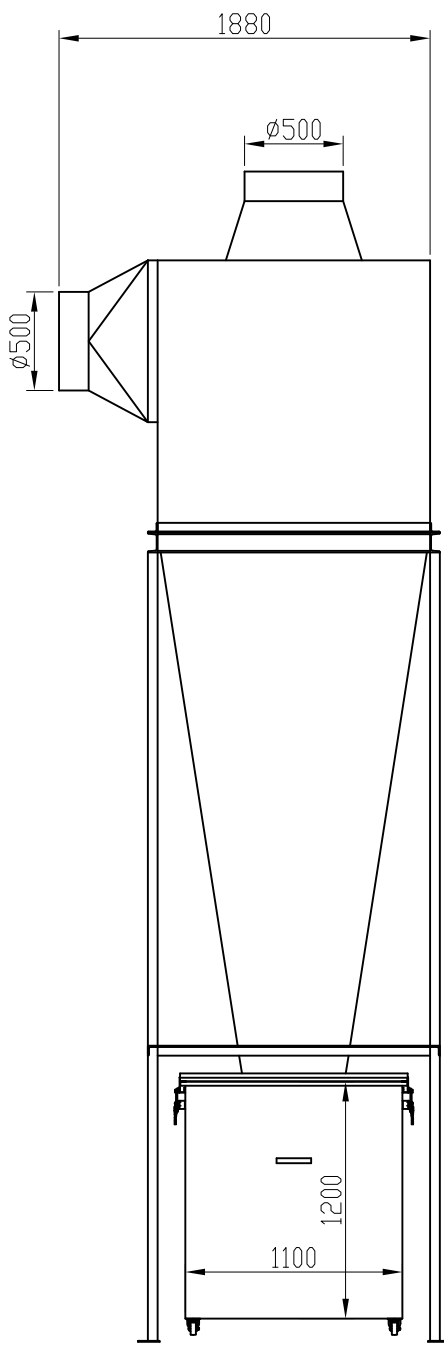
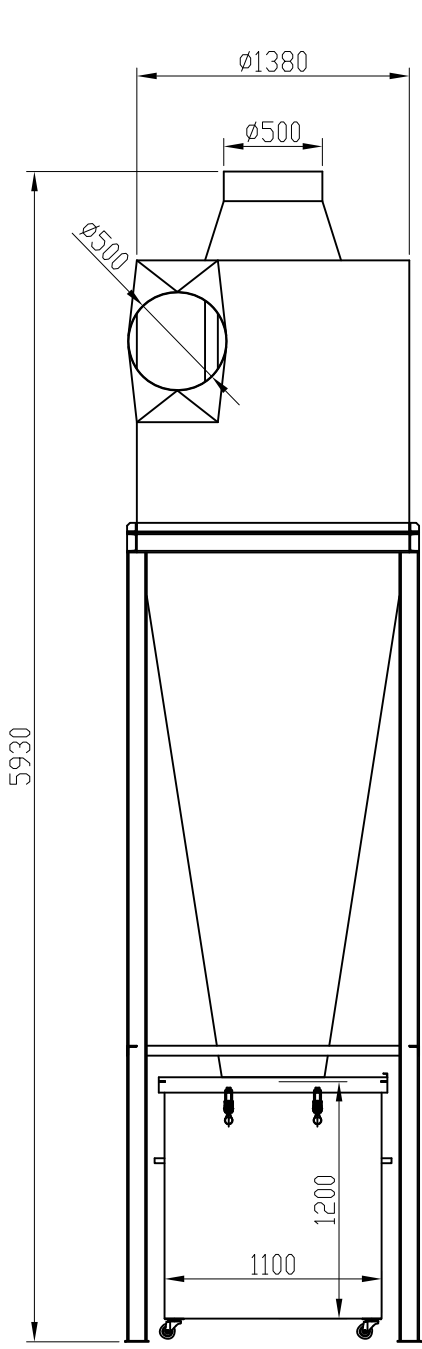
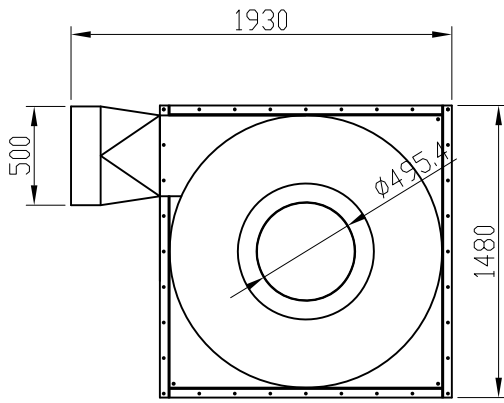
REV	DESCRIPTION	DATE	APPROVED	REMARK'S
				
PROJECTION		SIZE	A3	CUSTOMER
DIMENSION	mm	SCALE	1 / 1	TITLE
DRAWN	CHECKED	REVIEWED	APPROVED	NANDS DVG. NO.
B.B.M	-	-	-	NCY-100
12.05.18	-	-	-	





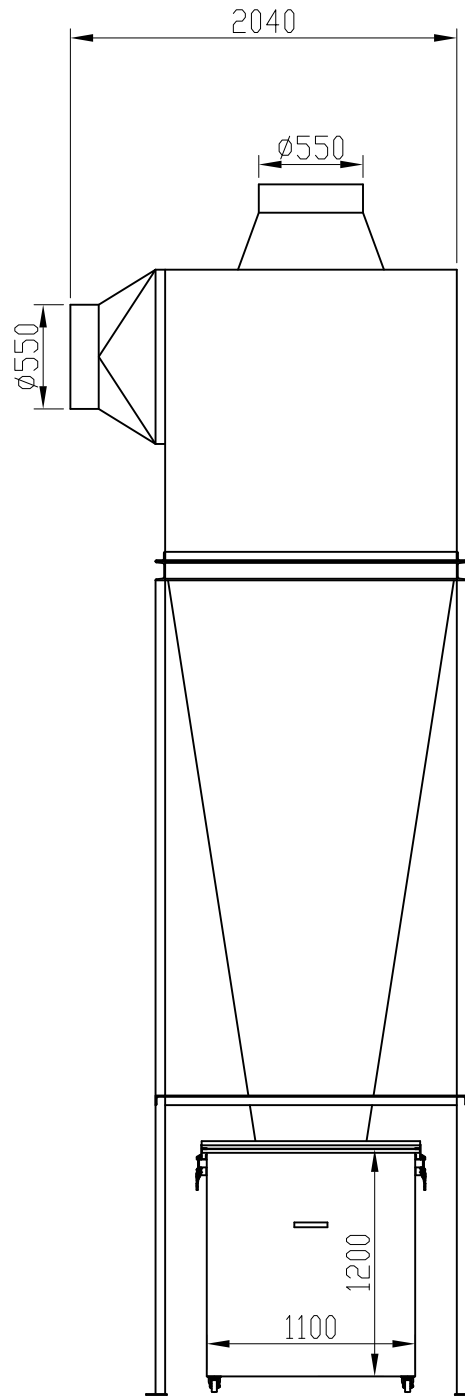
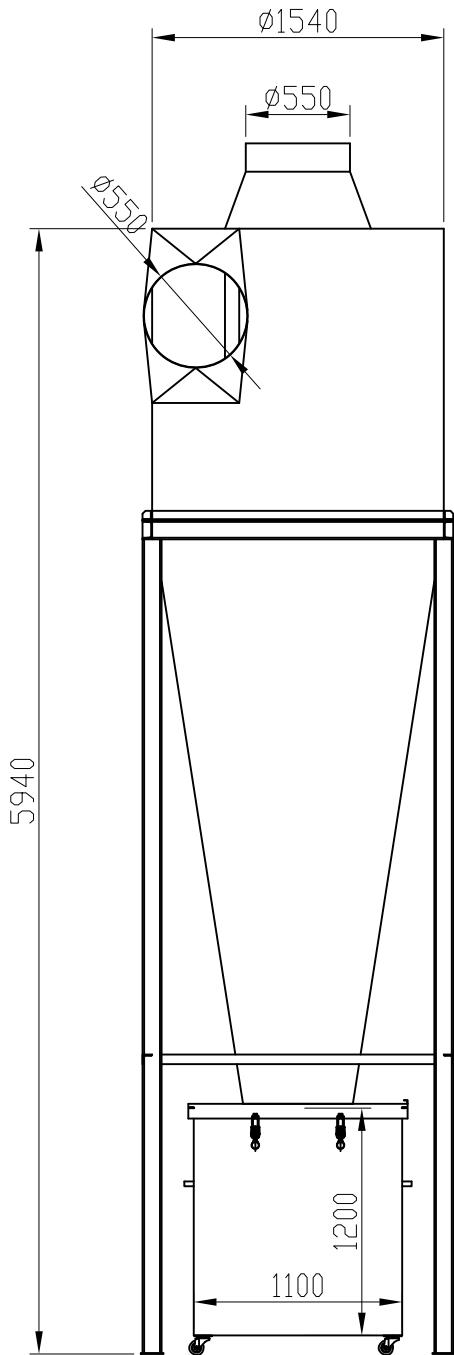
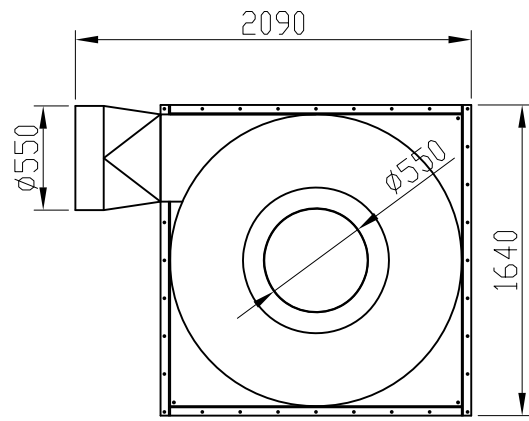
REV	DESCRIPTION	DATE	APPROVED	REMARK'S	
	PROJECTION	mm	SIZE	A3	CUSTOMER
	DIMENSION	mm	SCALE	1 / 1	TITLE
	DRAWN	CHECKED	REVIEWED	APPROVED	NANDS
	B.B.M	-	-	-	NANDS DVG. NO.
	12.05.18	-	-	-	NCY-150





고객평을 대표 받판기  
www.j-nanos.co.kr

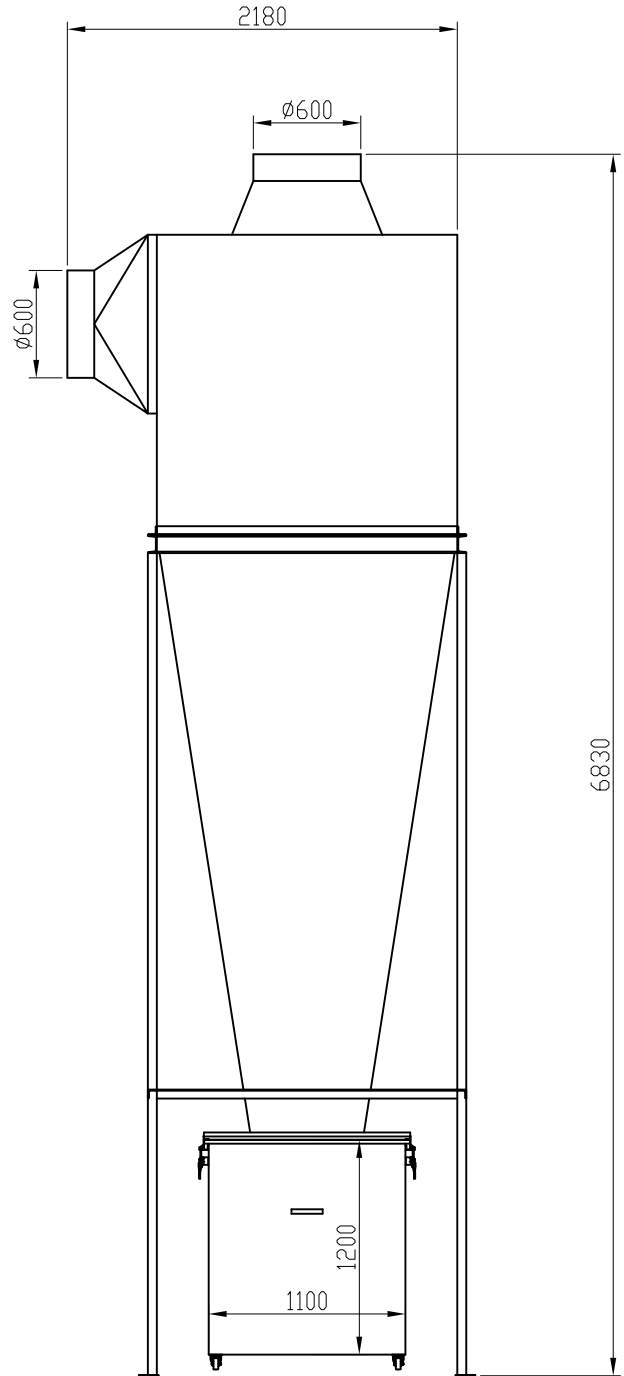
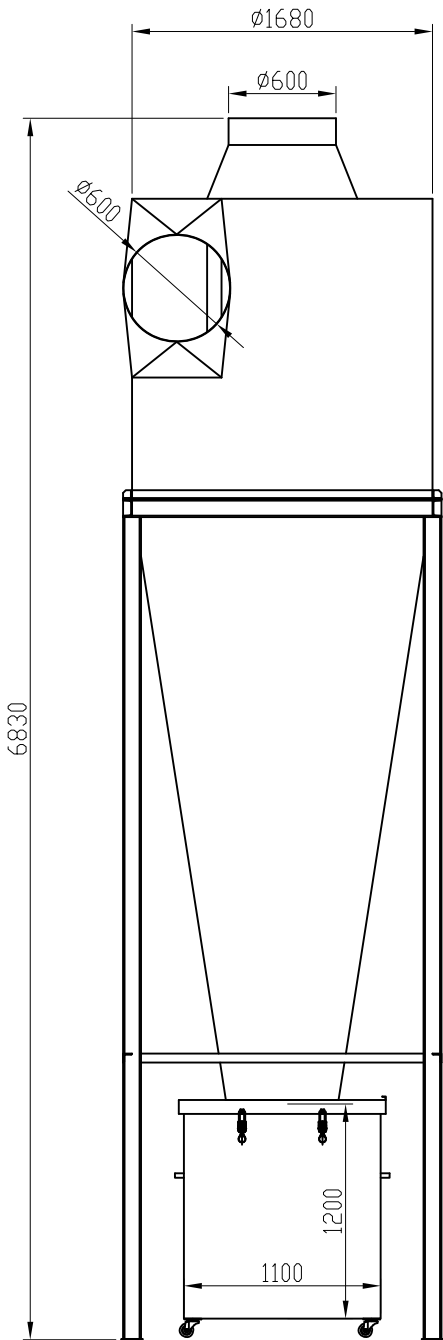
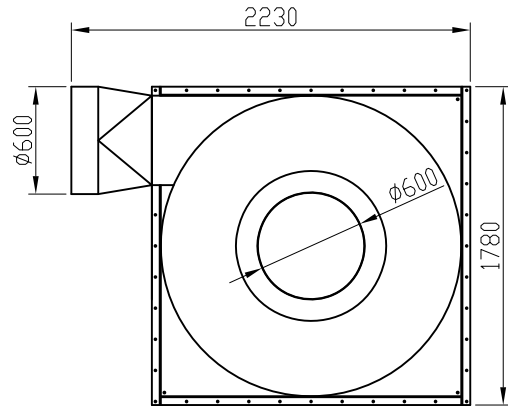




REV	DESCRIPTION	DATE	APPROVED	REMARK'S
				
PROJECTION		SIZE	A3	CUSTOMER
DIMENSION	mm	SCALE	1 / 1	TITLE
DRAWN	CHECKED	REVIEWED	APPROVED	NANDS DVG. NO.
B.B.M	-	-	-	NCY-200
12.05.18	-	-	-	



REV	DESCRIPTION	DATE	APPROVED	REMARK'S			
		PROJECTION		SIZE	A3	CUSTOMER	
		DIMENSION	mm	SCALE	1 / 1	TITLE	CYCLONE
		DRAWN	CHECKED	REVIEWED	APPROVED	NANDS	NCY-250
		B.B.M	-	-	-	DWG. NO.	
		12.05.18	-	-	-		





REV	DESCRIPTION	DATE	APPROVED	REMARK'S
				
PROJECTION		SIZE	A3	CUSTOMER
DIMENSION	mm	SCALE	1 / 1	TITLE
DRAWN	CHECKED	REVIEWED	APPROVED	TITLE
B.B.M	-	-	-	CYCLONE
12.05.18	-	-	-	NANDS DVG. NO.
				NCY-300



고객평을 대표 받판기  
www.j-nanos.co.kr